



RIGHT STUFF EQUIPMENT

ROTARY PLATE STYLE ACCUMULATION TABLE

Right Stuff Equipment Rotary Accumulation Tables efficiently collect products without impacting upstream production.

Ideal for the accumulation of:

- Glass Bottles and Jars
- Aluminum Cans and Bottles
- Plastic Tubs
- Small Cartons and Boxes
- Pouches and Bags

Made in the USA.
Denver, Colorado

**WELDED
STAINLESS STEEL
CONSTRUCTION**

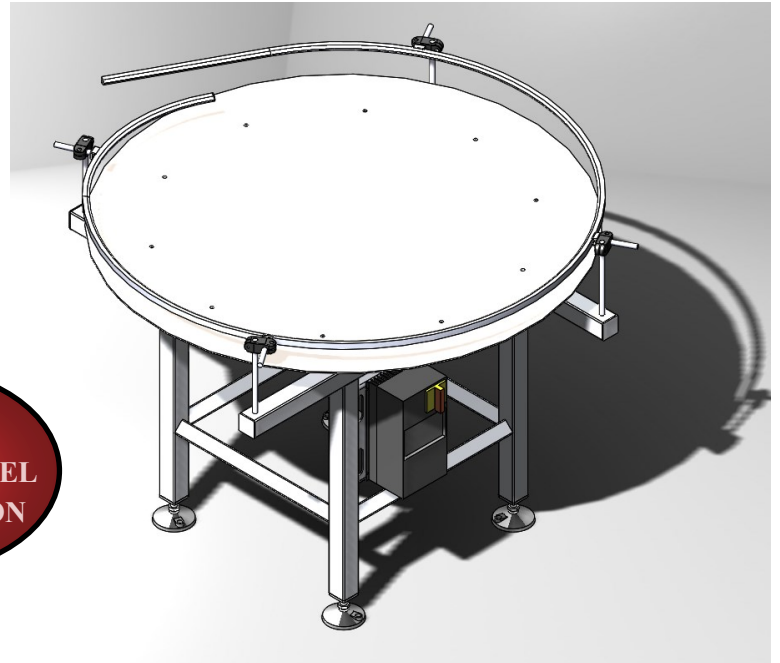


TABLE SIZES

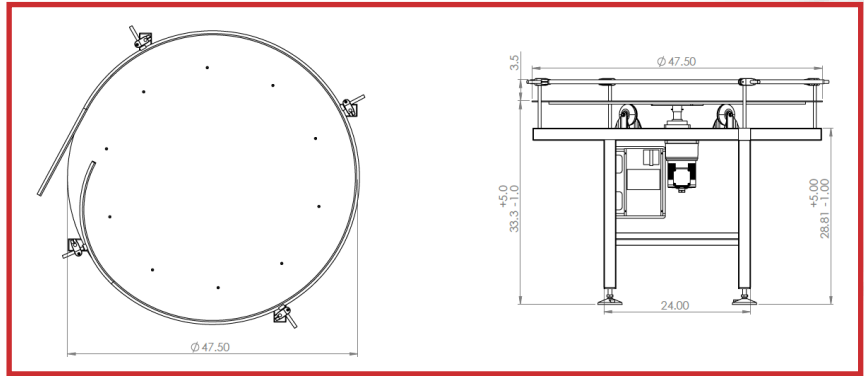
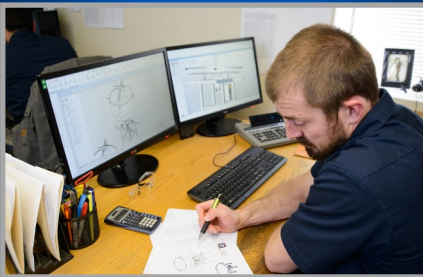
36"

48"

60"

TECHNICAL SPECIFICATIONS

LINE HEIGHT	26" - 44"
CONTAINER TYPES	Various
IP RATING	55
ELECTRICAL	120/240 VAC, 6.8A/3.4A Max Current Draw Single Phase, 60Hz
FOOTPRINT	Table Size Dependant
WEIGHT	250 lbs
WARRANTY	1 Year



FEATURES

- Stainless Steel Tube Frame
- Nema 4X VFD with Rotary Disconnect Switch
- Embedded I/O for Automatic Line Control
- IP55 Rated 1/8 HP Rated Gearmotor
- Rated for use in Wet Food and Washdown Environments
- Adjustable Table Speed (1-10RPM)
- 200 LB Max Table Capacity
- Shear Pin Coupling to Prevent Motor Overload
- Heavy Duty Aluminum Support Plate
- 10 Gauge Heavy Duty Stainless Steel Top
- Clockwise/Counterclockwise Table Rotation
- Standard Adjustable Line Heights from 26" - 44"
- Adjustable Machine Feet for Leveling and Anchoring

OPTIONS

- Stainless Steel Total Locking Casters
- Double Guide Rails for Tall Products
- Custom Heights Available
- Other Voltage Options Available
- UHMW Transfer Shoe for Side Transfer onto Conveyor

RIGHT STUFF EQUIPMENT

1605 E. 69TH AVENUE
DENVER, CO 80229

PHONE: 303.327.4704
FAX: 303.327.4708



WWW.RIGHTSTUFFEQUIPMENT.COM

